

# PLAFO 900 LED

GARRABRIDGE

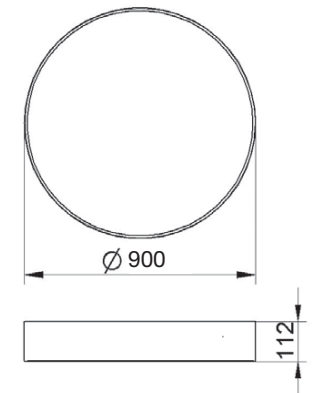
Surface mounted LED luminaire with opal diffuser. Light source - Fortimo LED Line, PrevaLED Linear or Tridonic Stark LED module. Standard EVG ballast, Touch DALI version on request. Body is made of steel and aluminium and is available in all RAL colours.



High quality, energy efficient white LED light with CRI 80.

Perfect replacement for conventional T5 luminaires in:

- Offices
- Public buildings
- Hotel lobbies and receptions
- Retail



Index no.	Lumen output	Wattage	System efficacy	Colour temp.	Colour rendering index	Lifetime	Weight
0000-003515.ST10000/830	8x1250 lm	8x12W	105 lm/W	3000K	80 Ra	50,000 h	10,50 kg
0000-003515.ST10000/840	8x1250 lm	8x12W	105 lm/W	4000K	80 Ra	50,000 h	10,50 kg