

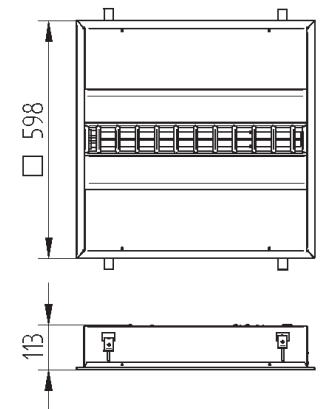
# NEW LINE 600 PERF DPL

**GARRABRIDGE**

Recessed luminaire for PLL lamp with perforated diffuser and parabolic louver. Body is made of steel and aluminium. All RAL colours are available. Double lamp version on request. Standard version is for modular ceiling, version for gypsum ceiling available on request.



- IP20
- 230 V  
50 Hz
- F
- ⊥
- CE



570 x 570

Index no.	Lamp	Weight	Socket
546.40E	EVG, 1x40 W PLL	7,25 kg	2G11
546.55E	EVG, 1x55 W PLL	7,25 kg	2G11